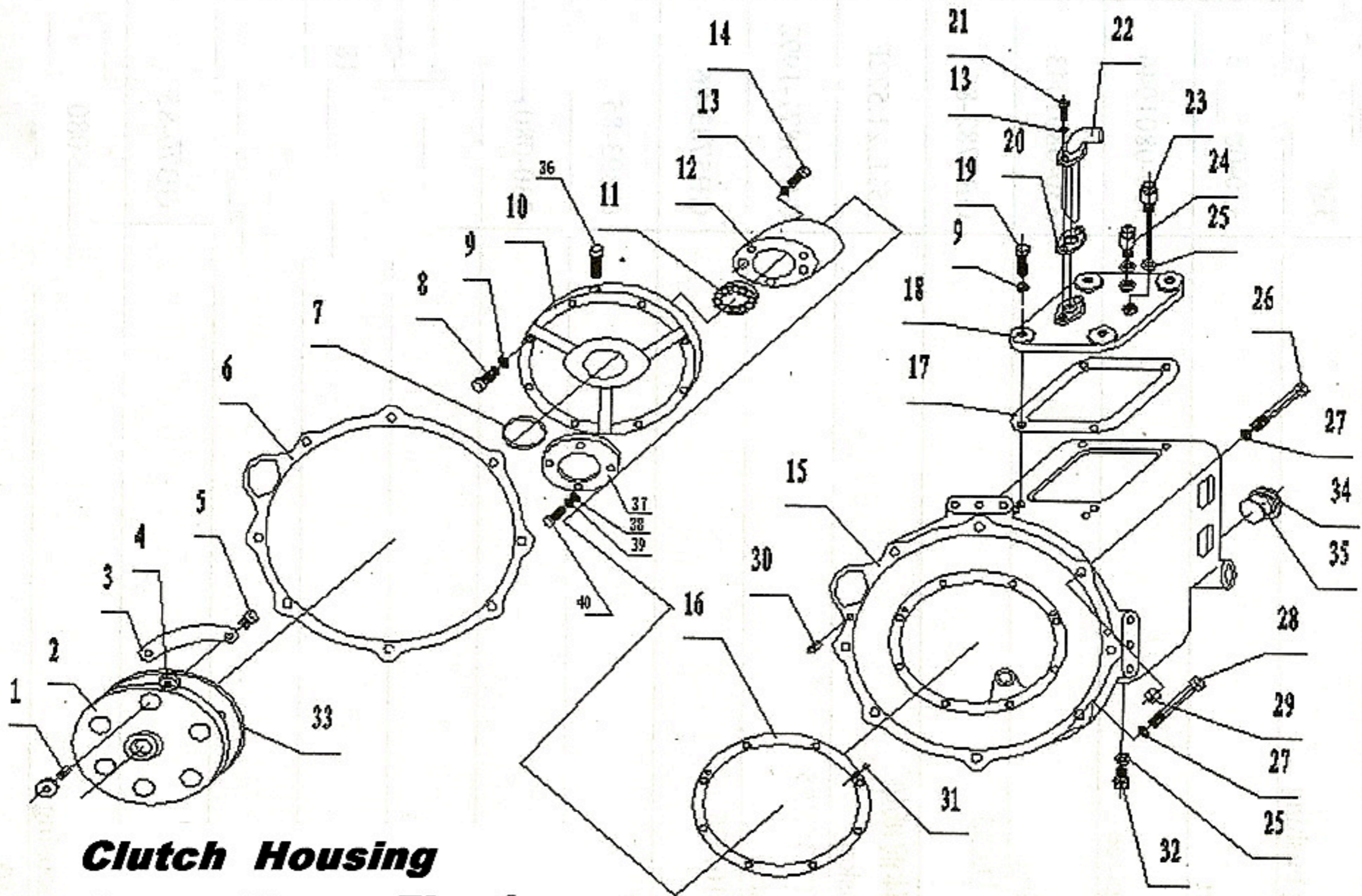


406 CRAWLER CHASSIS

PARTS

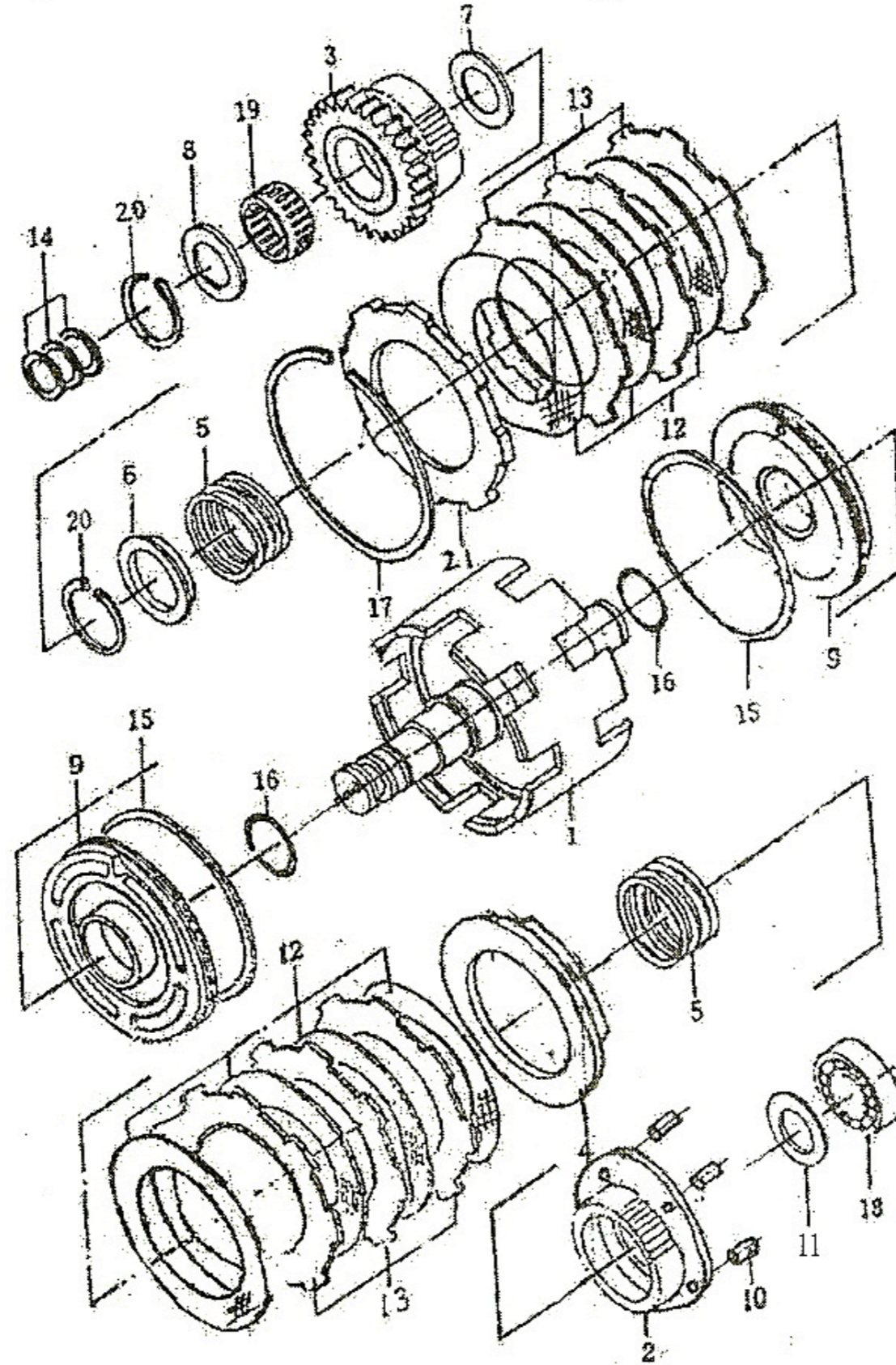
TYTAN

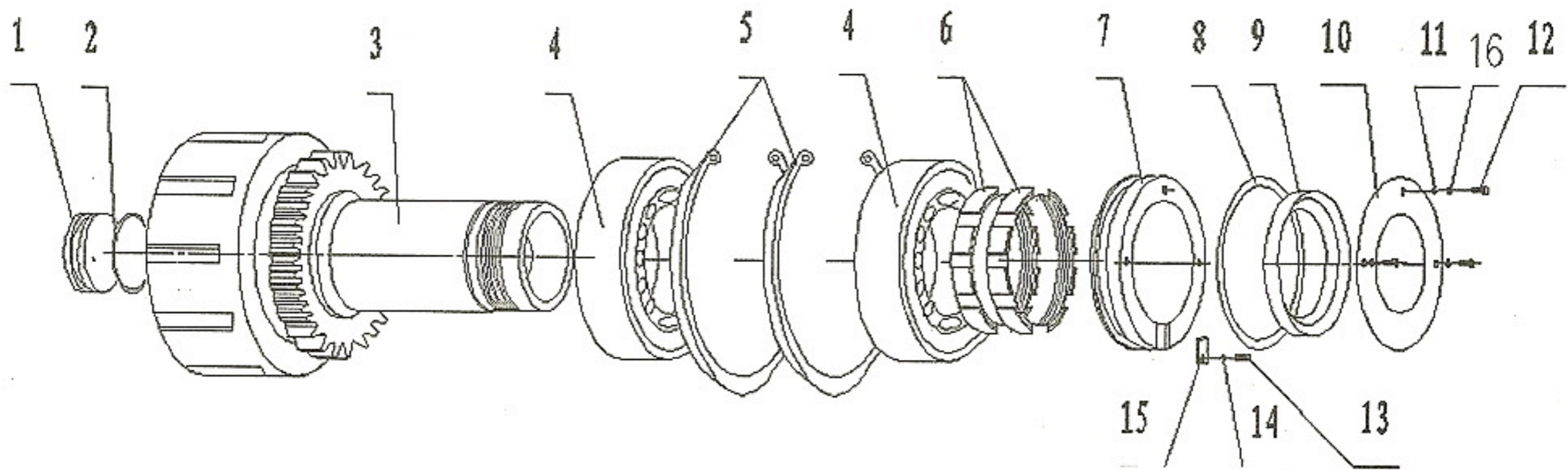


**Clutch Housing
Assembly Fig 4**

Hydraulic Clutch

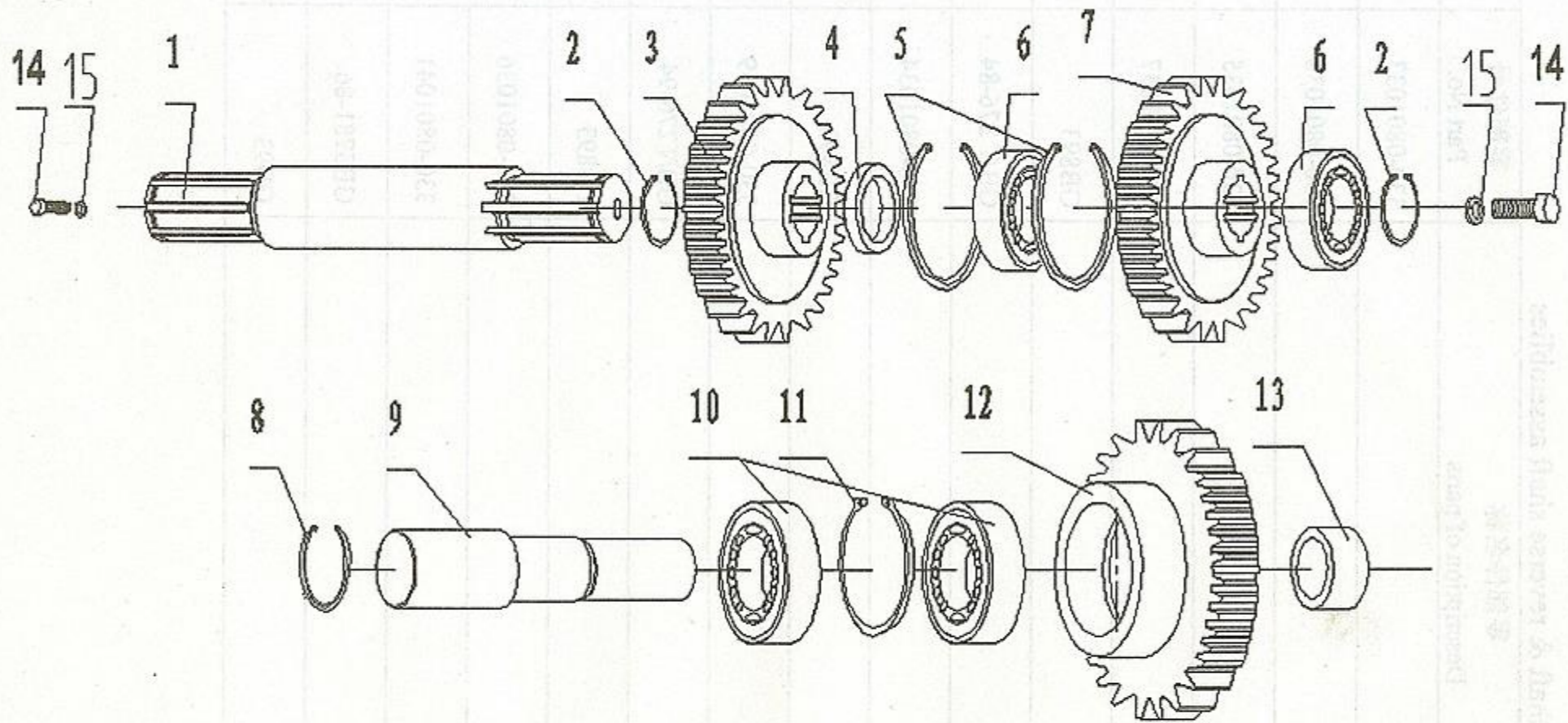
Fig 5



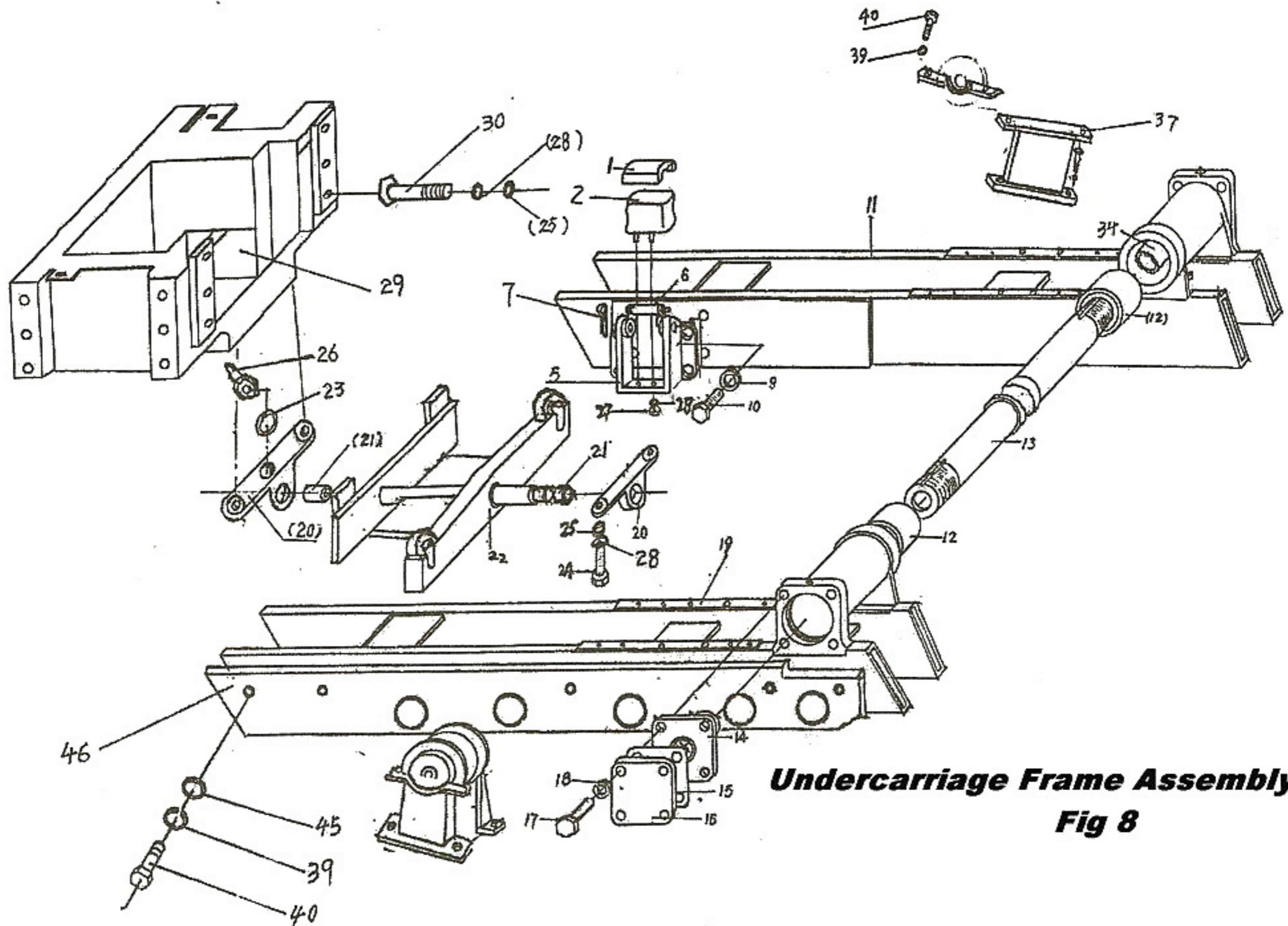


Driven Shaft

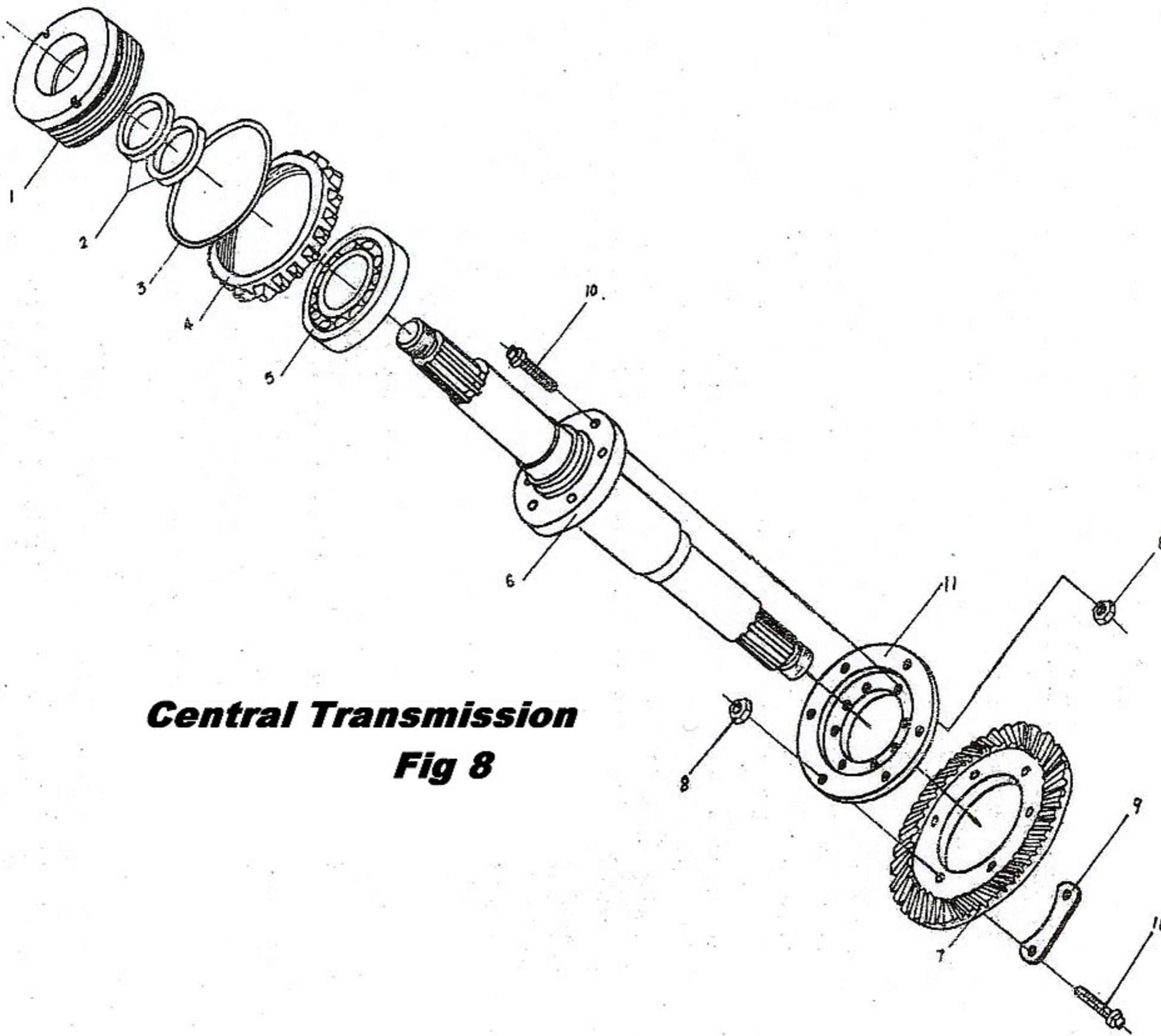
Fig 6



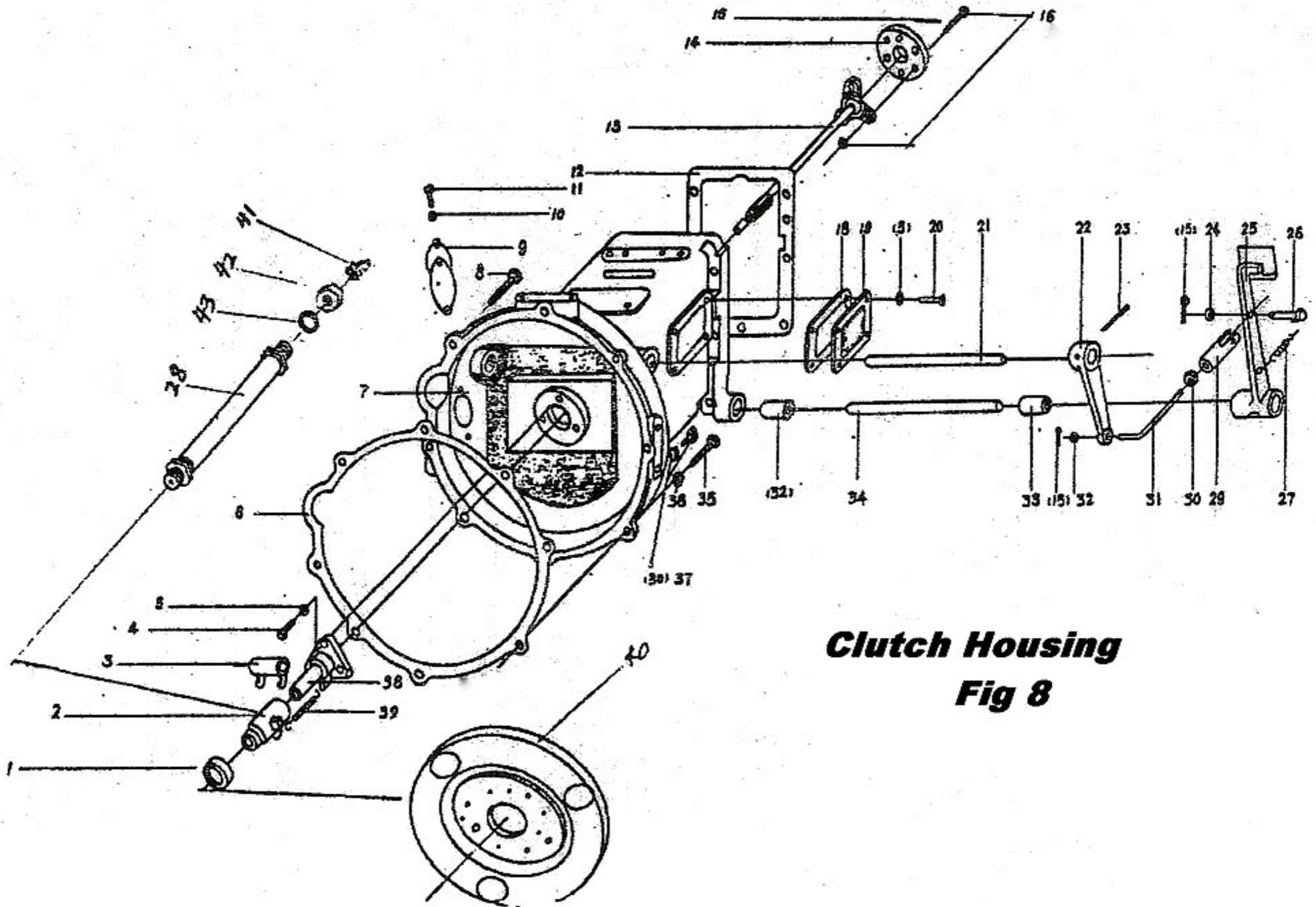
**Middle Shaft & Reverse Shaft
Assembly Fig 7**



Undercarriage Frame Assembly
Fig 8

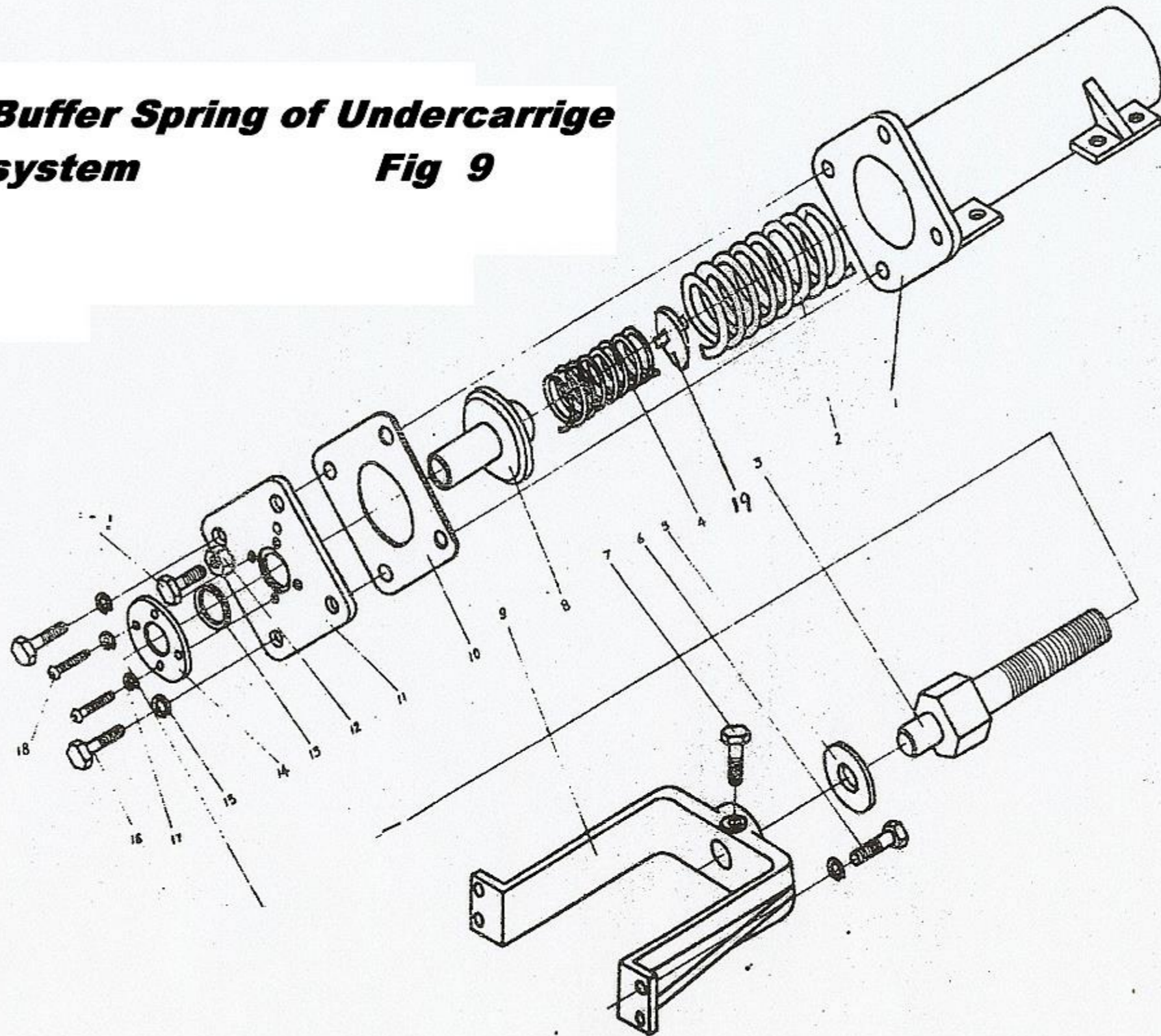


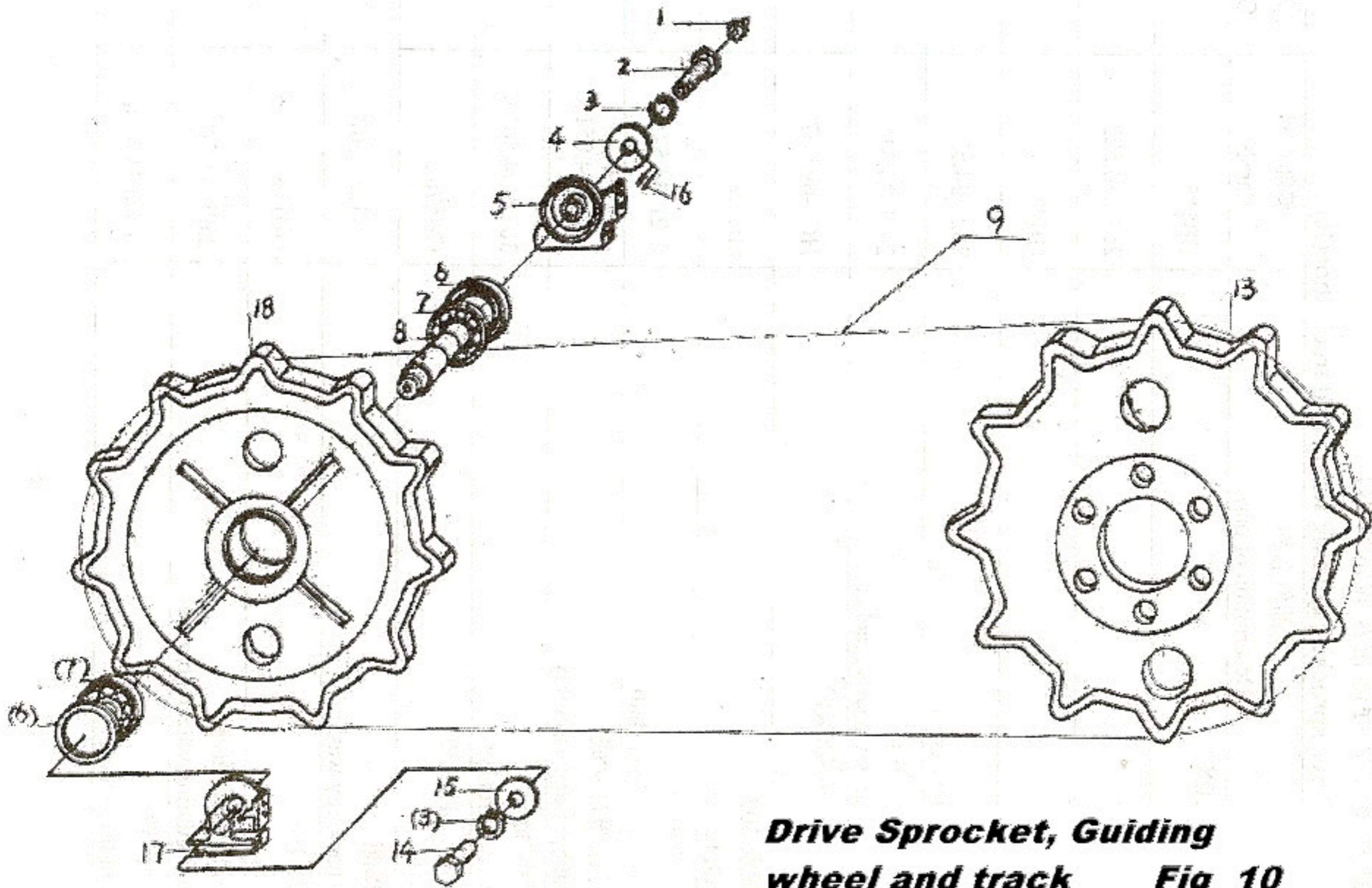
Central Transmission
Fig 8



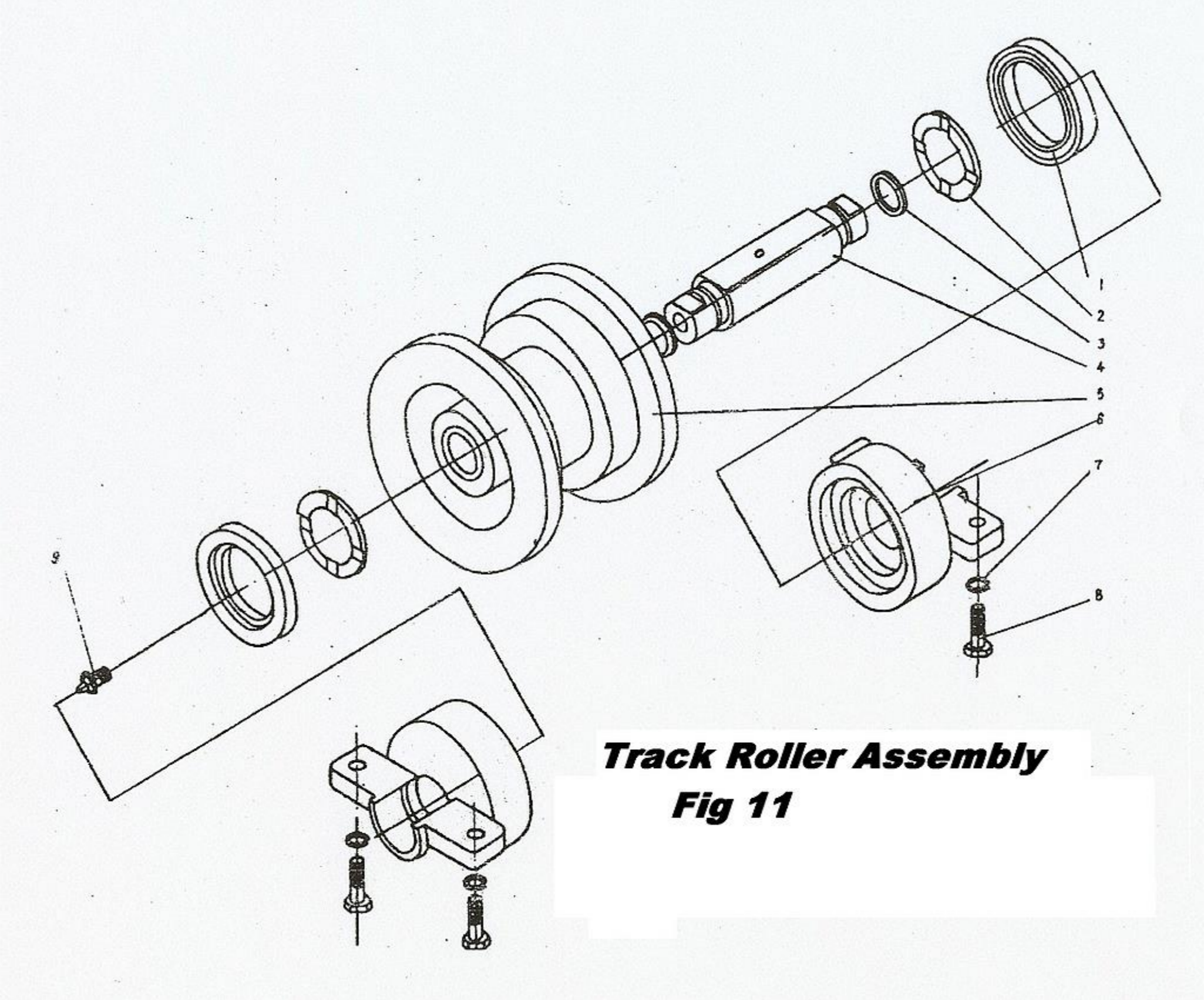
Clutch Housing
Fig 8

Buffer Spring of Undercarrige system
Fig 9



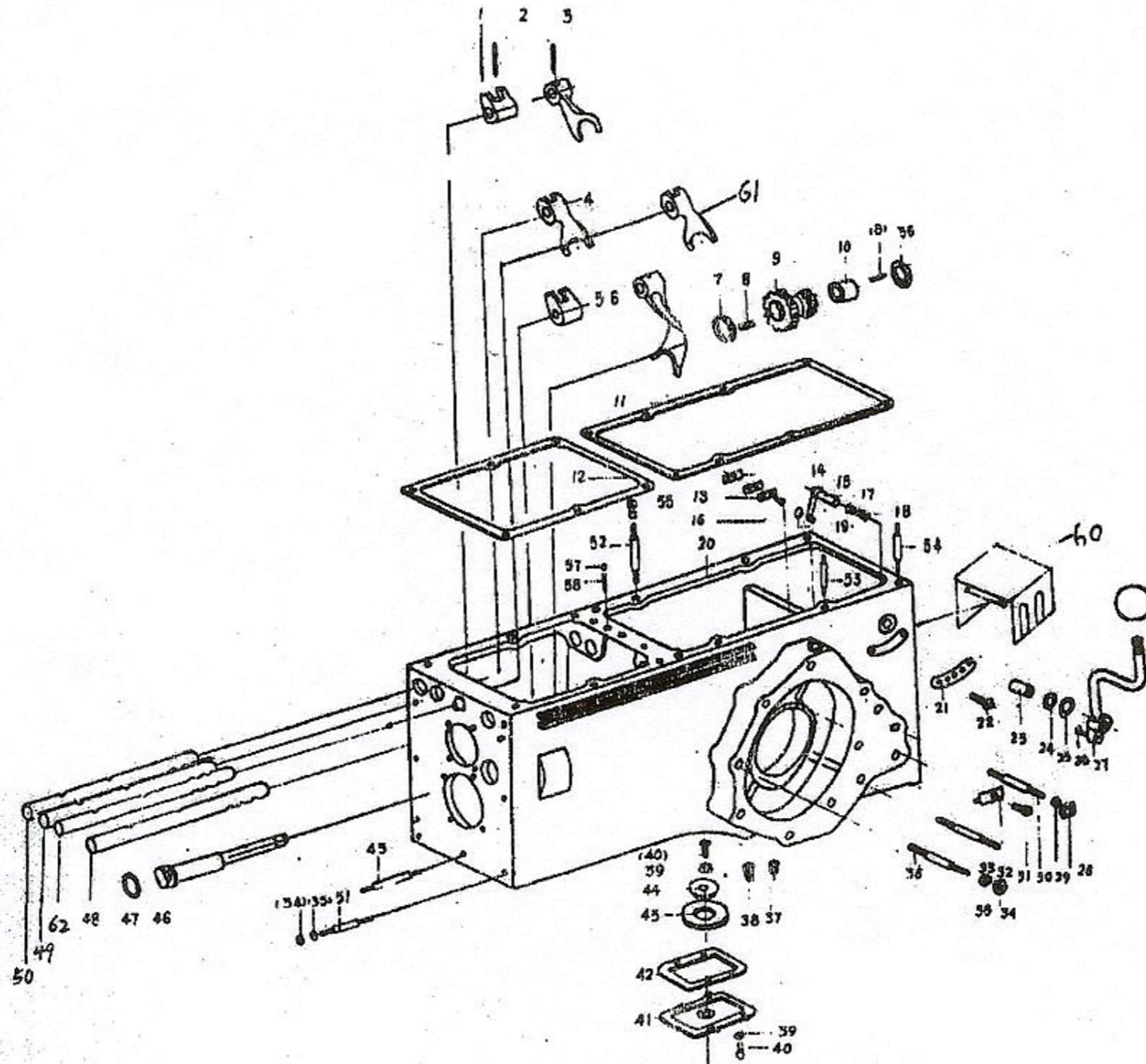


Drive Sprocket, Guiding wheel and track Fig 10



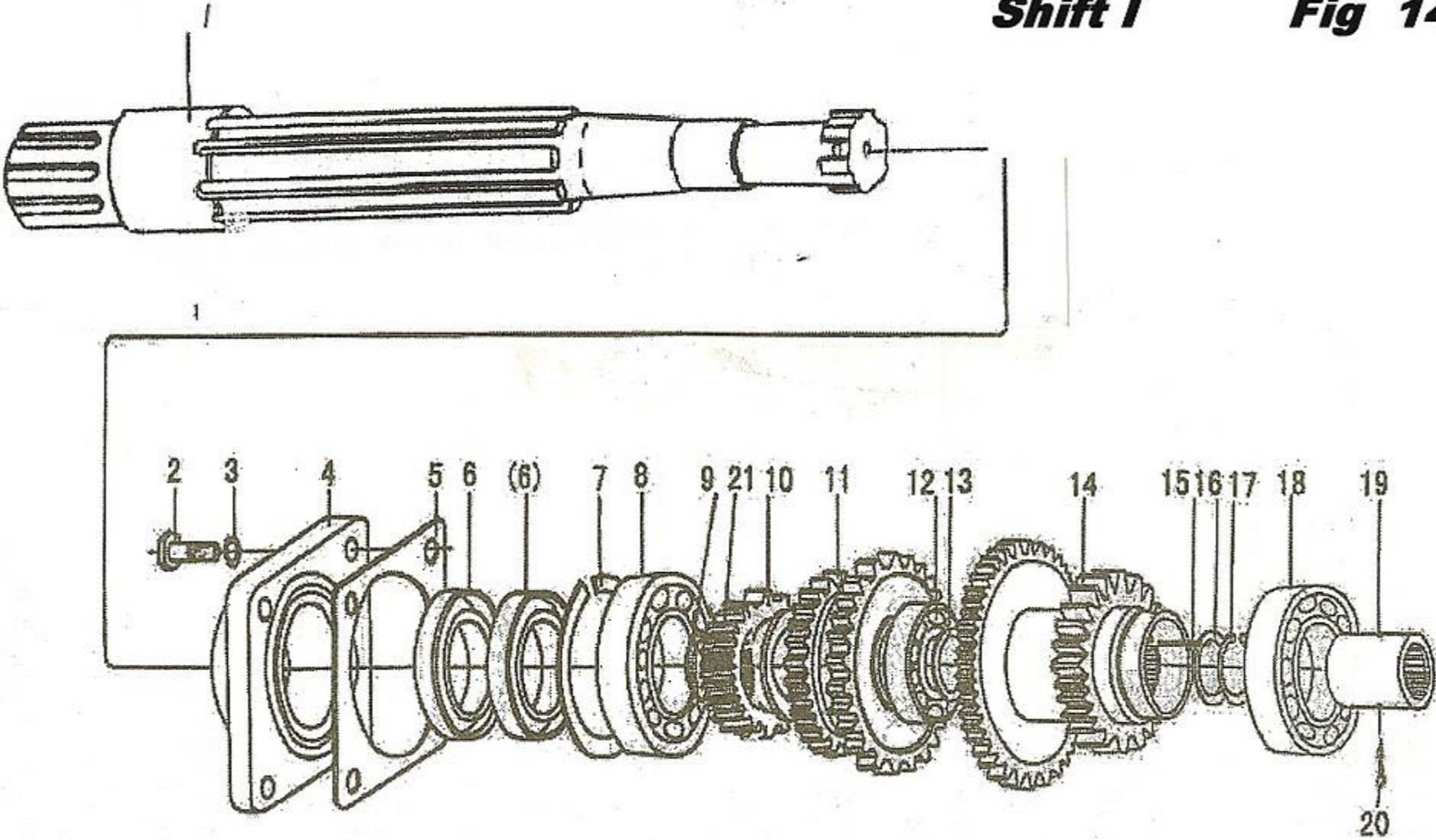
Track Roller Assembly

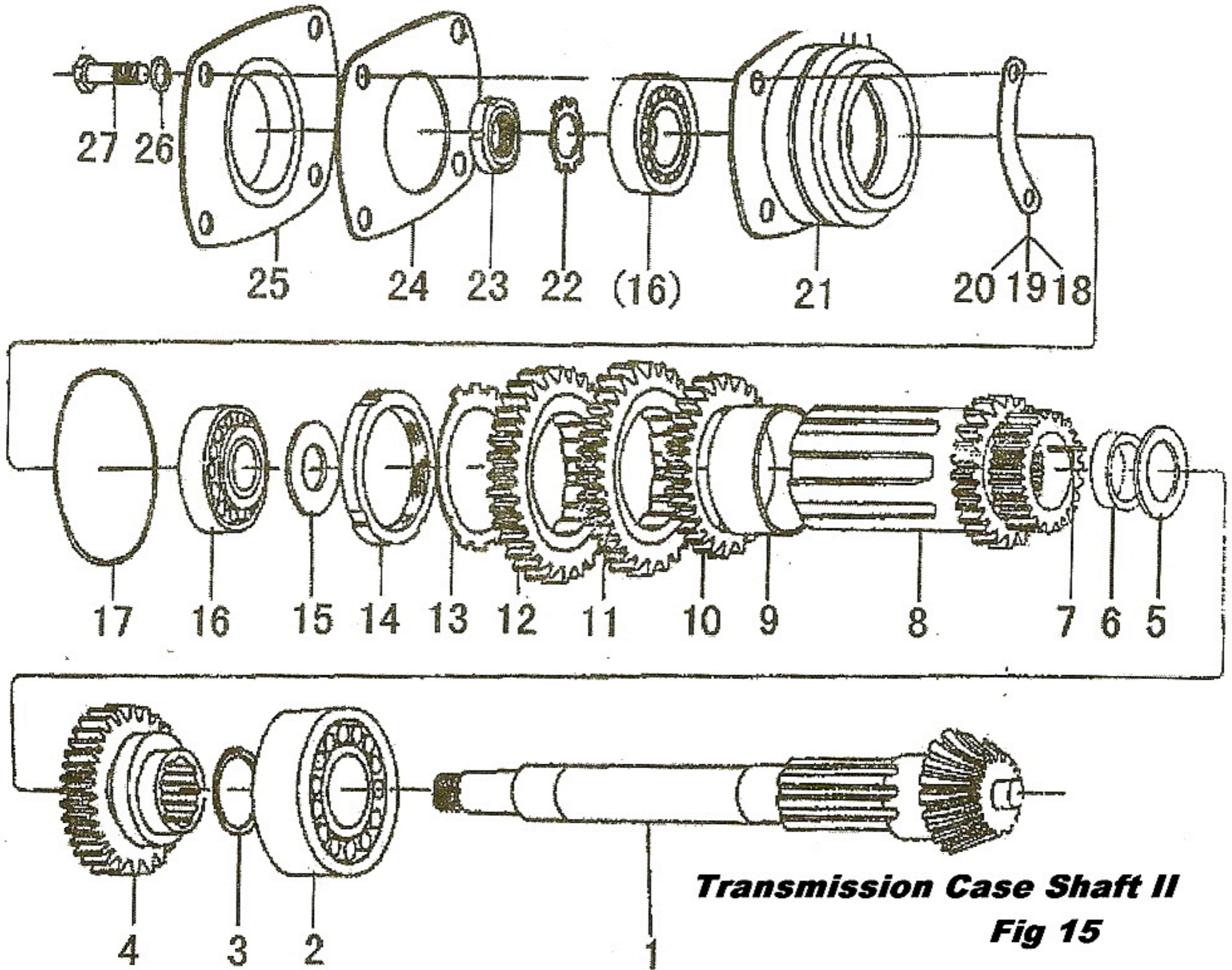
Fig 11



Transmission Case
Fig 12

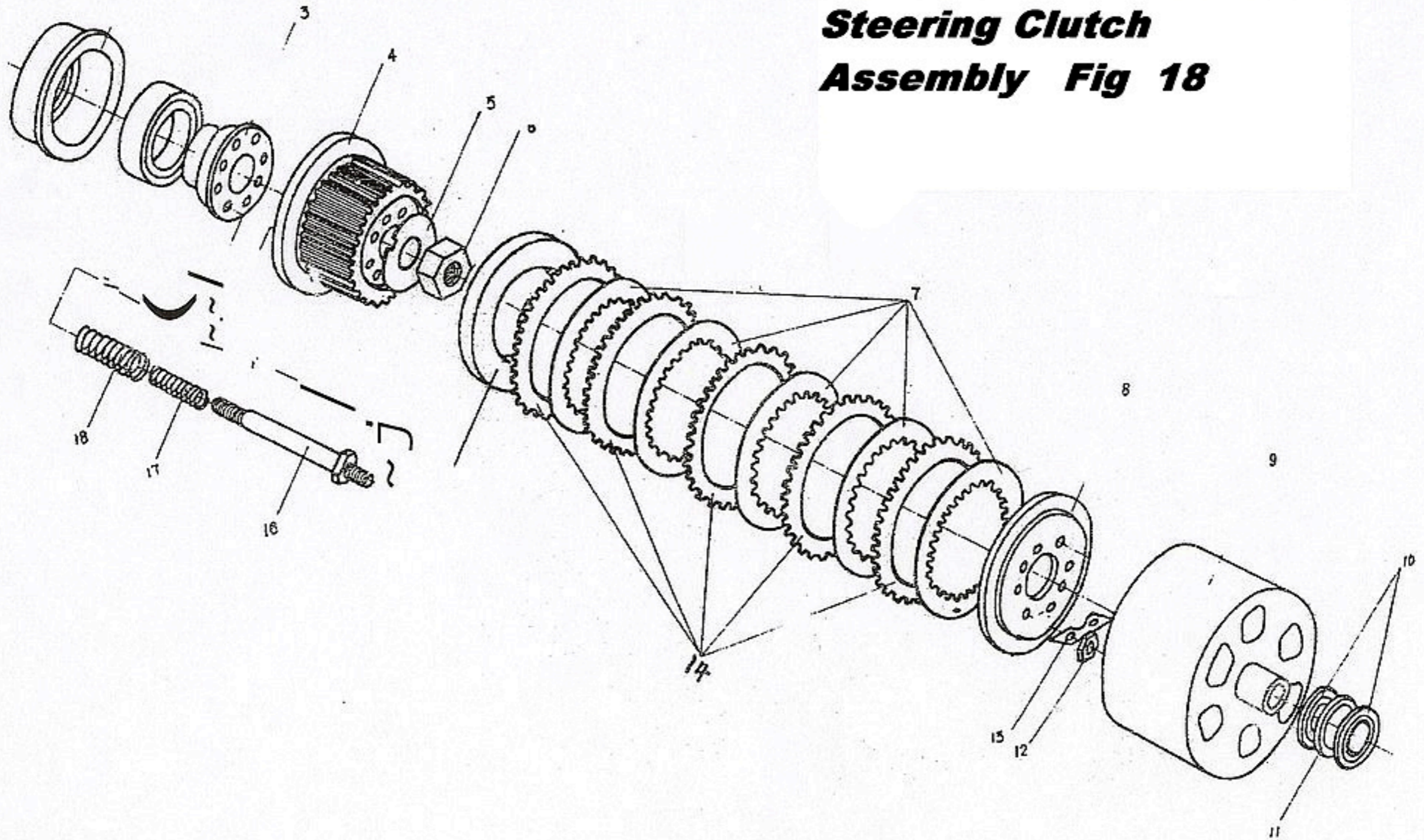
Transmission Case
Shift I Fig 14

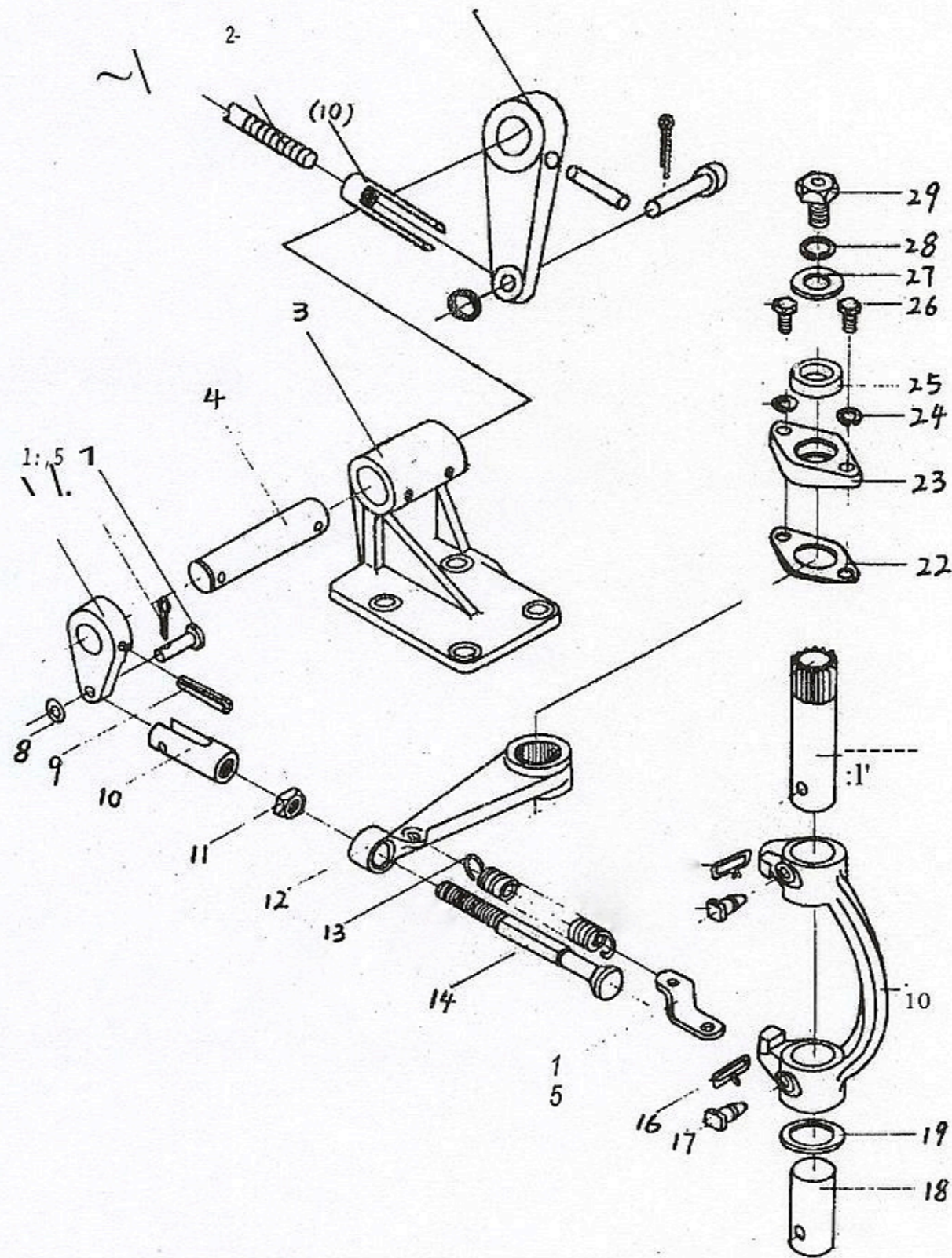




Transmission Case Shaft II
Fig 15

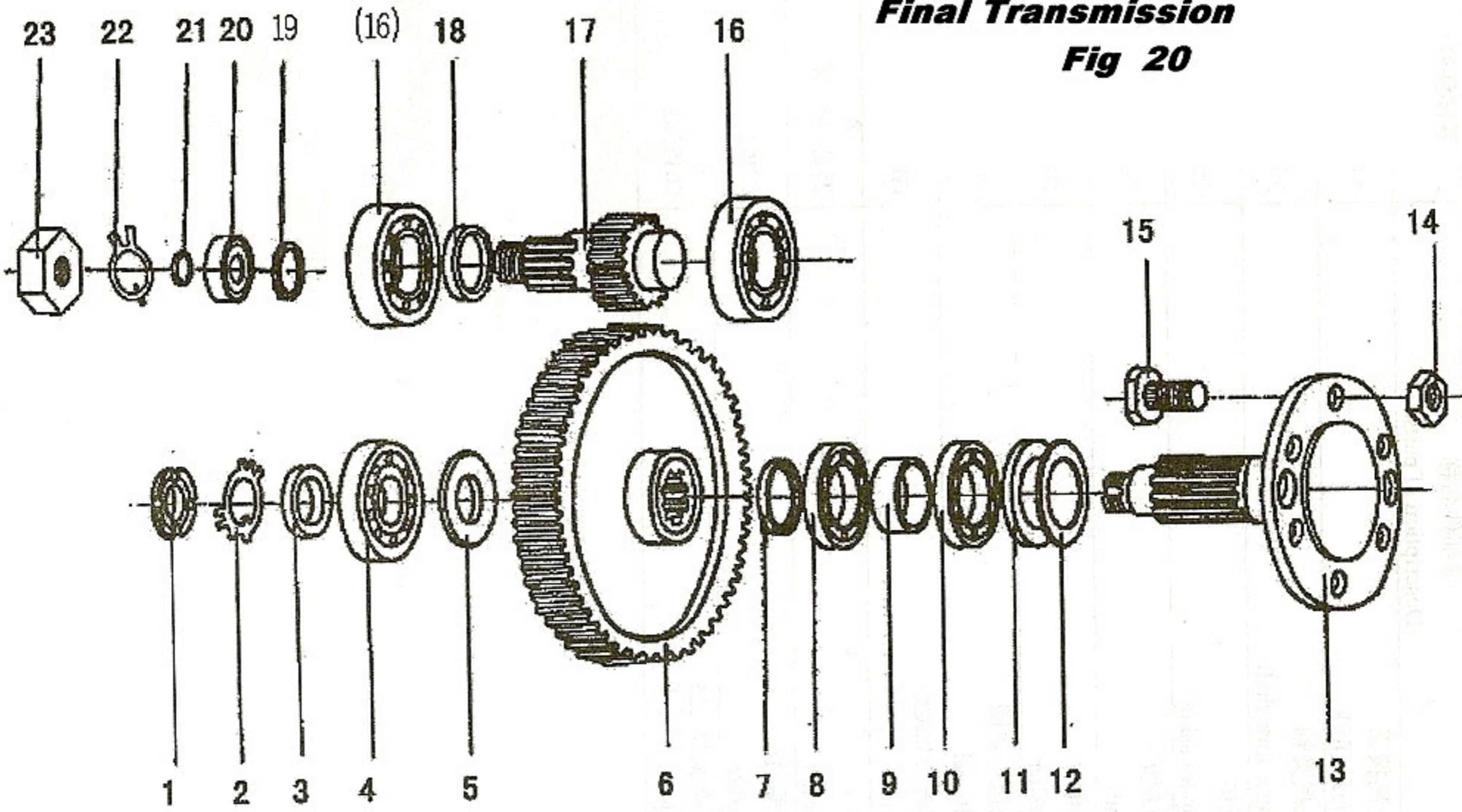
Steering Clutch Assembly Fig 18

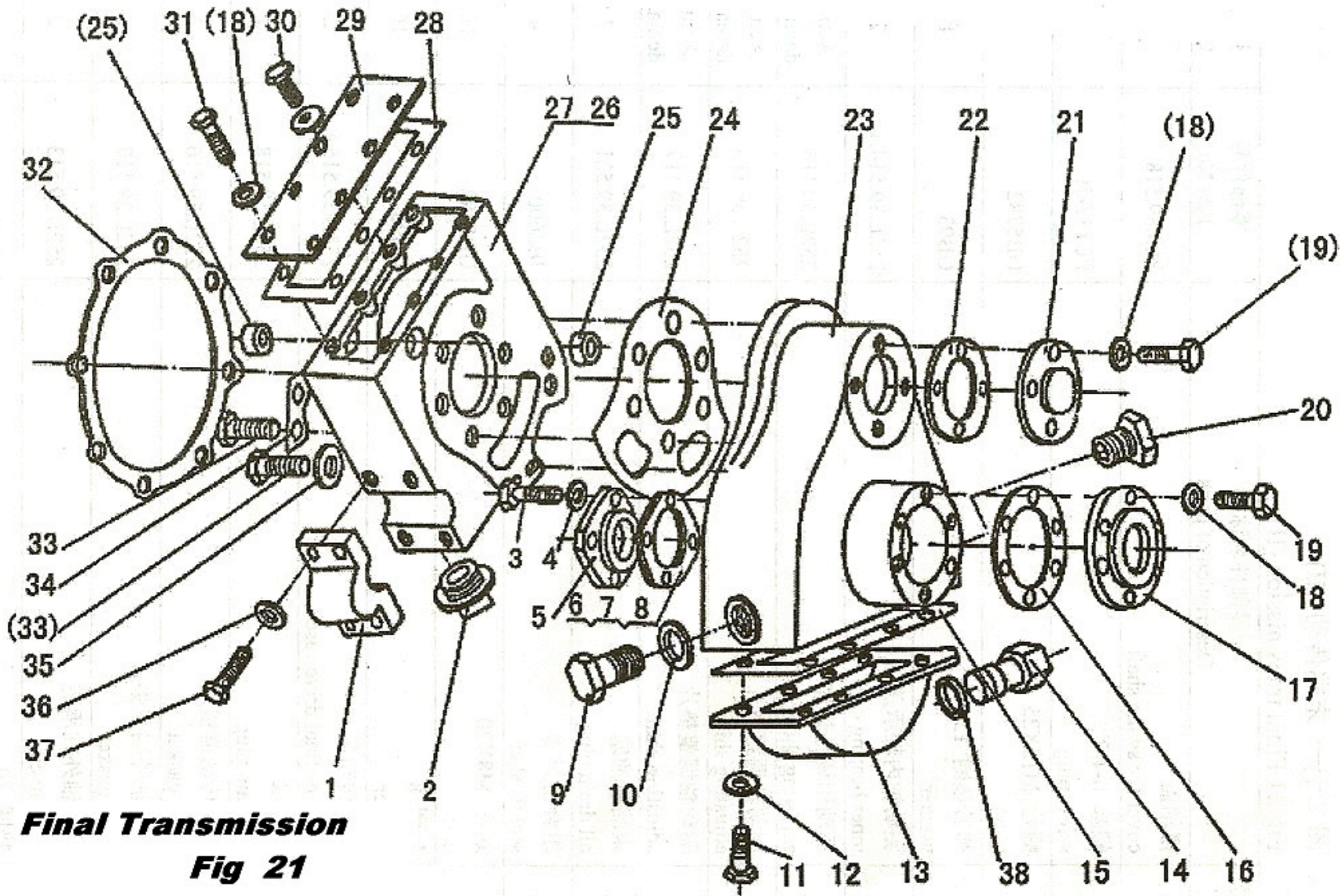




**Steering Clutch Control
Mechanism Fig 19**

Final Transmission
Fig 20

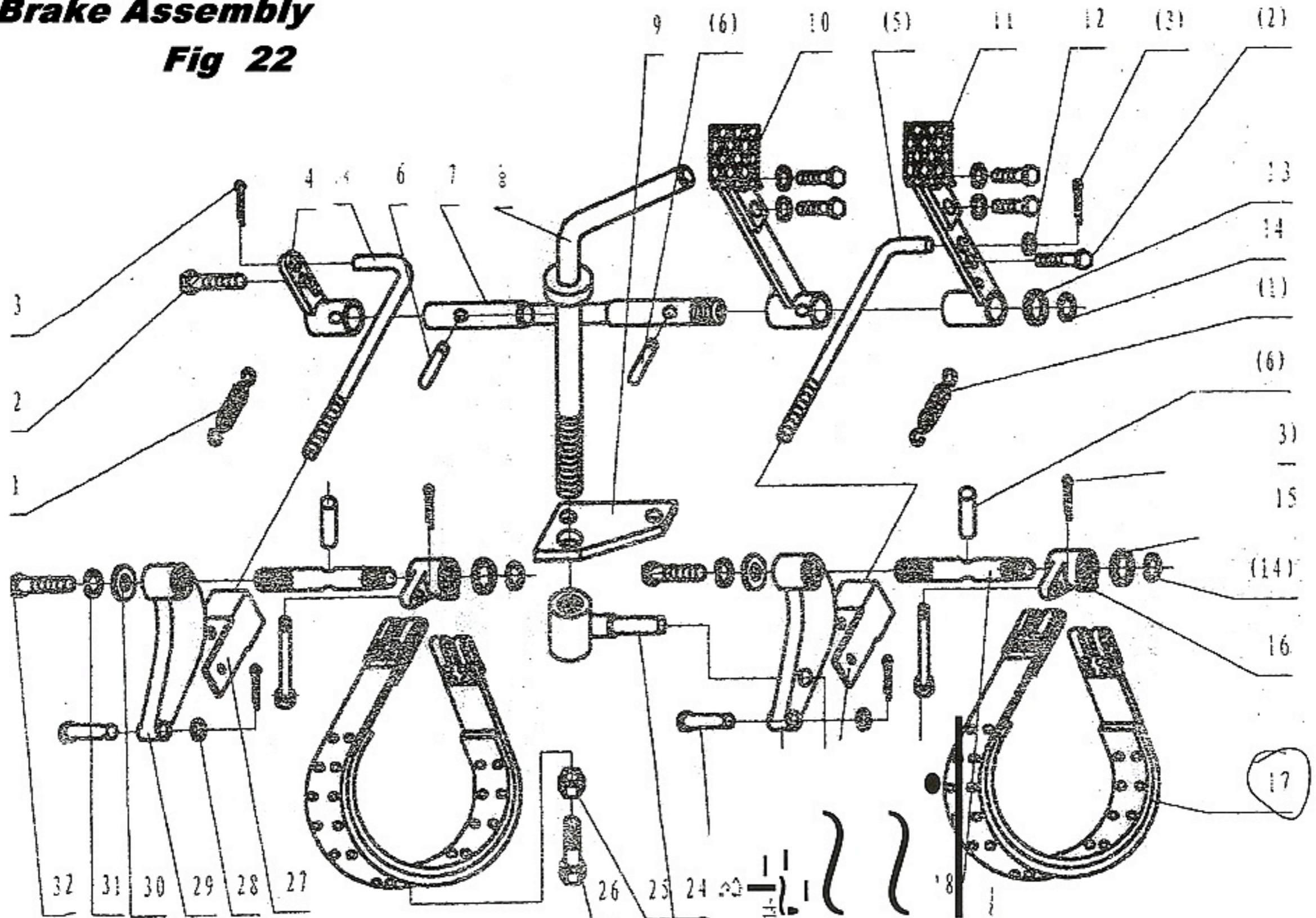


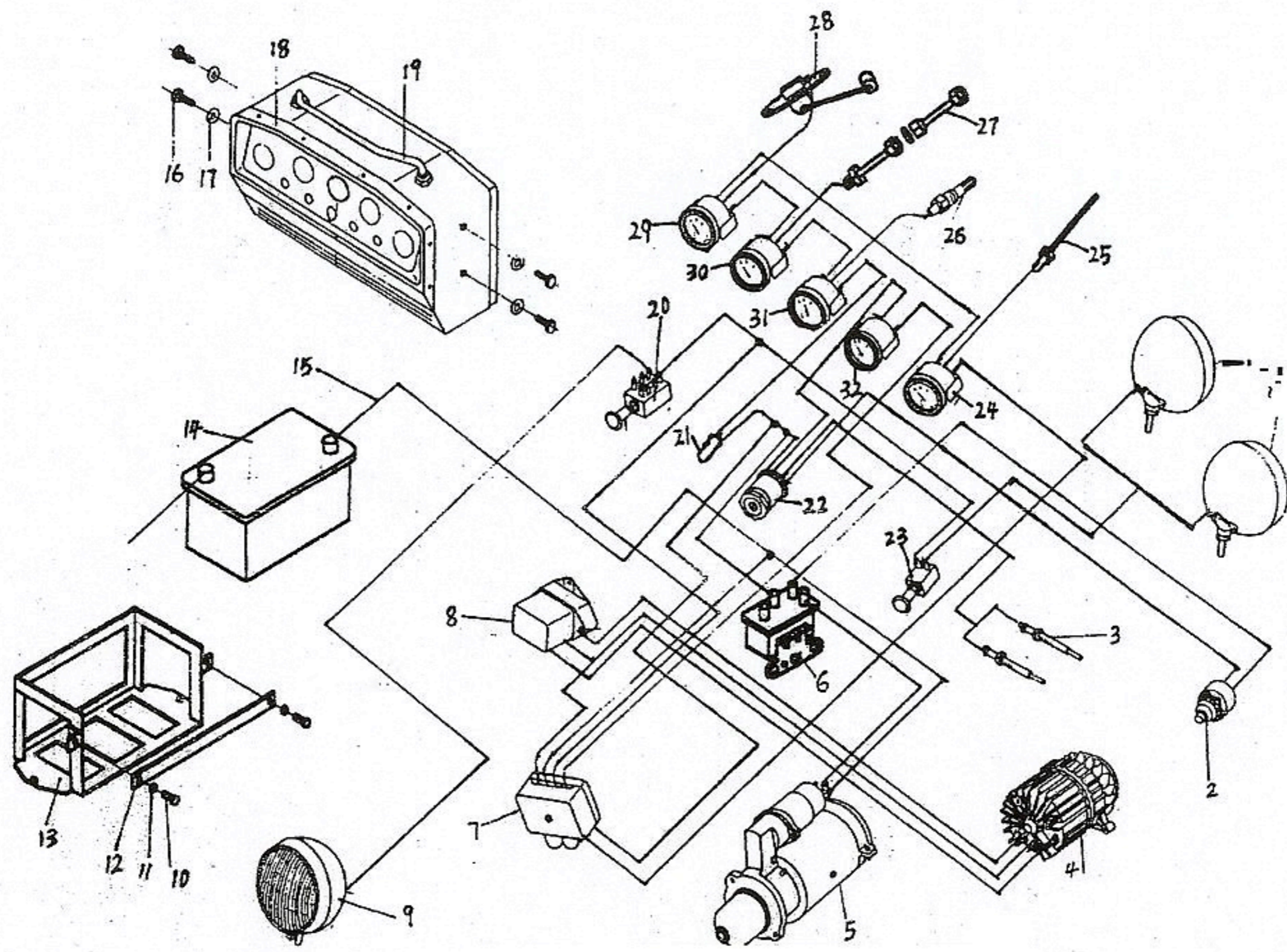


Final Transmission
Fig 21

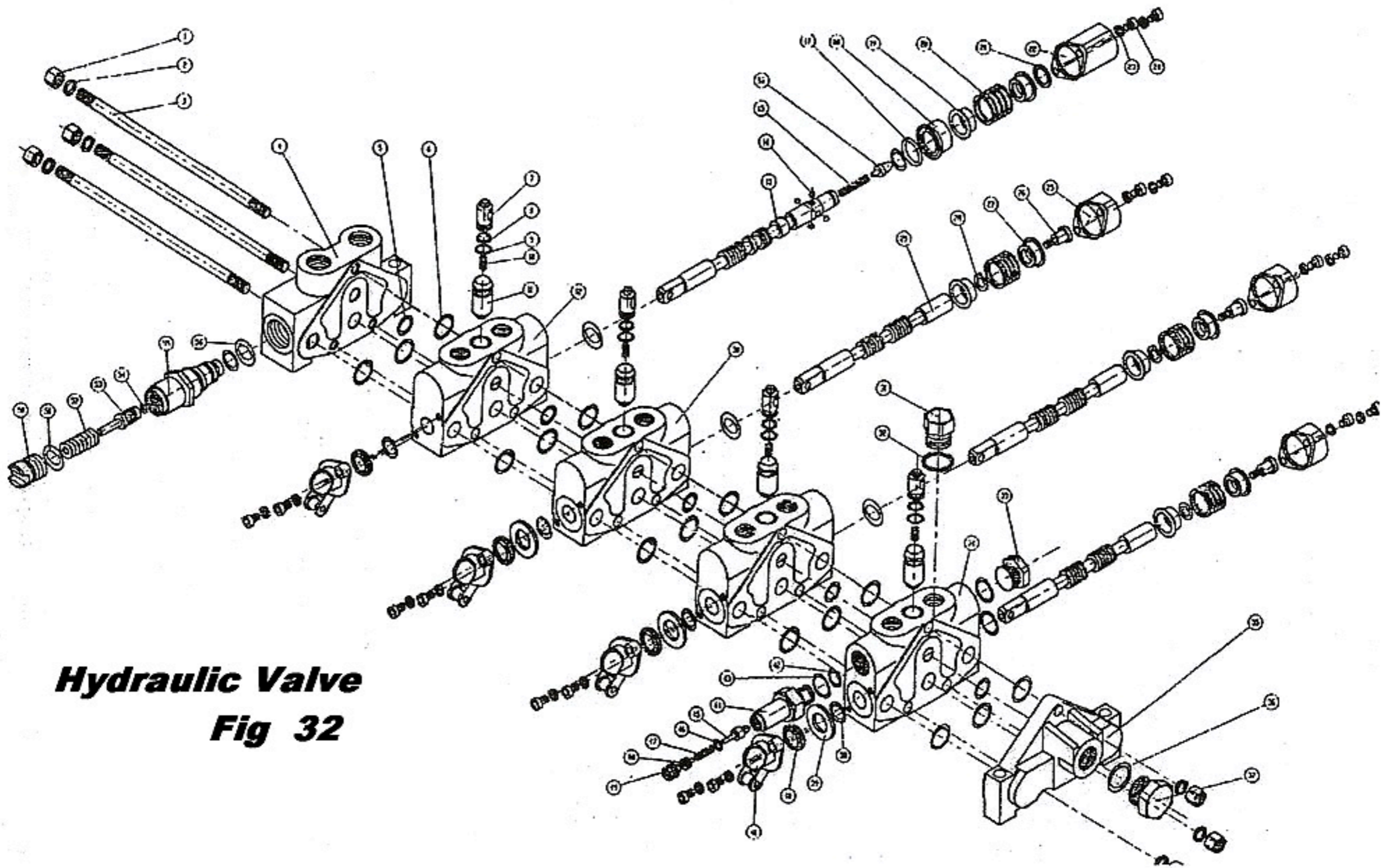
Brake Assembly

Fig 22



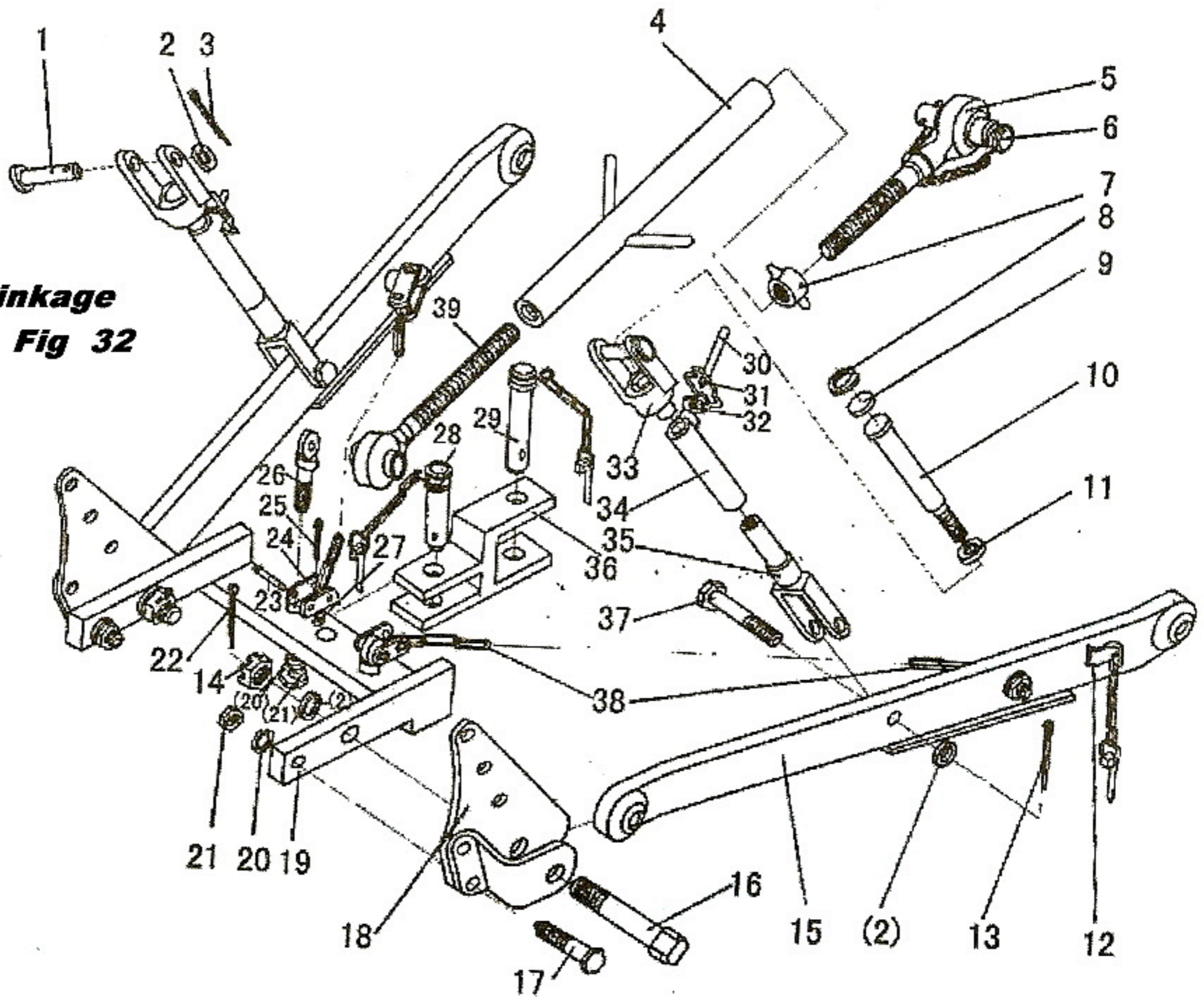


**Electrical System &
meters** **Fig 29**

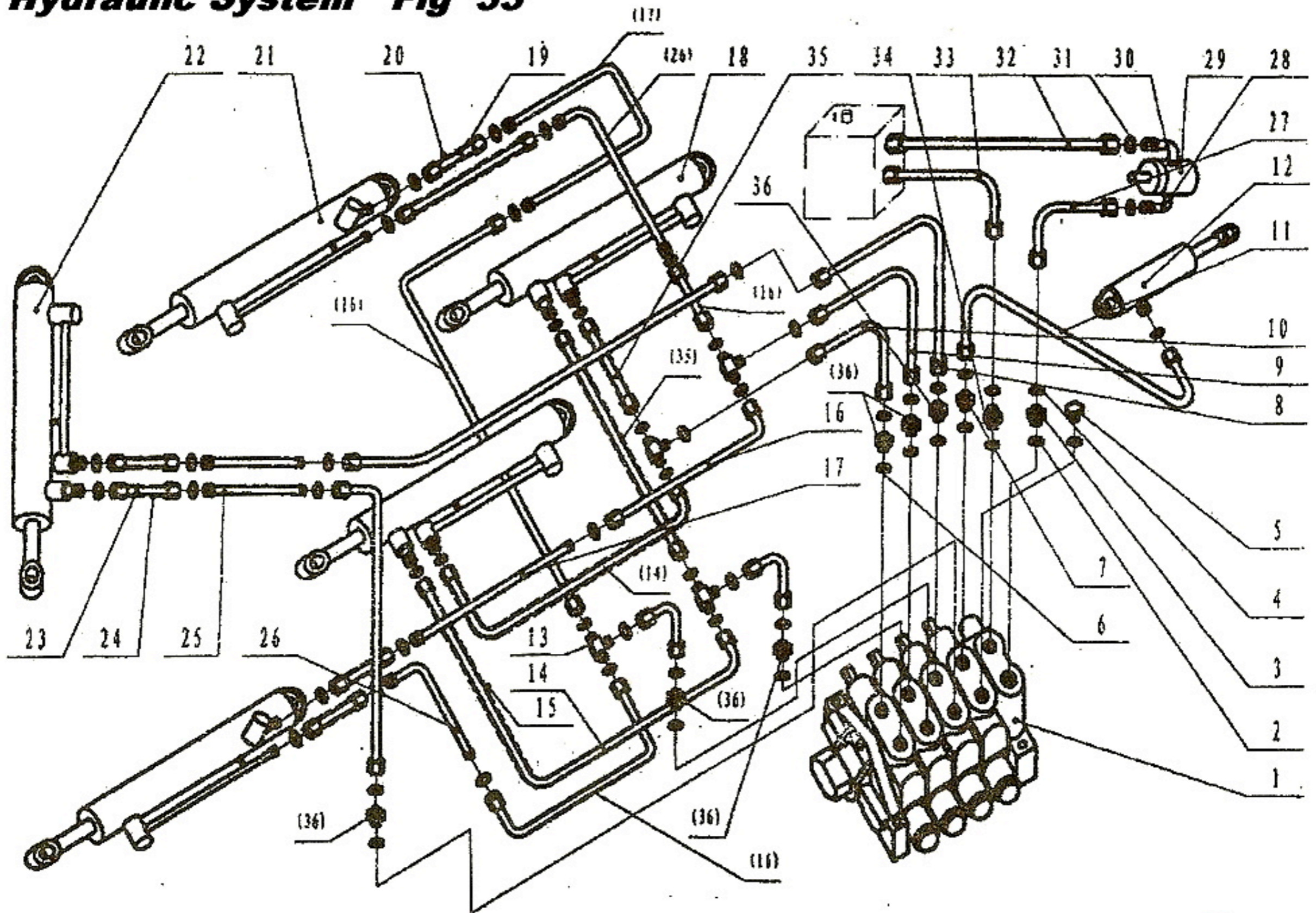


Hydraulic Valve
Fig 32

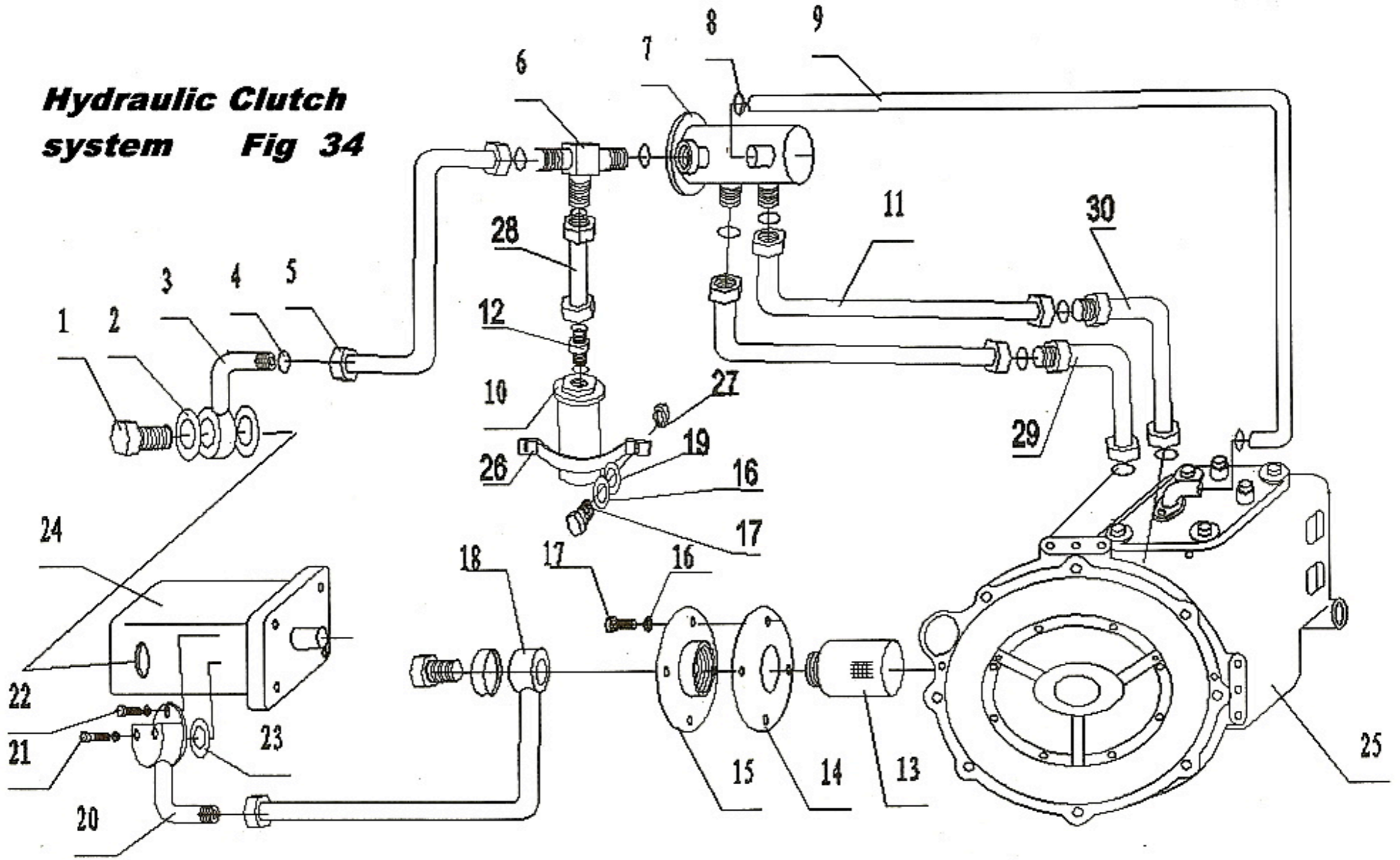
3 pt Linkage
Fig 32



Hydraulic System Fig 33

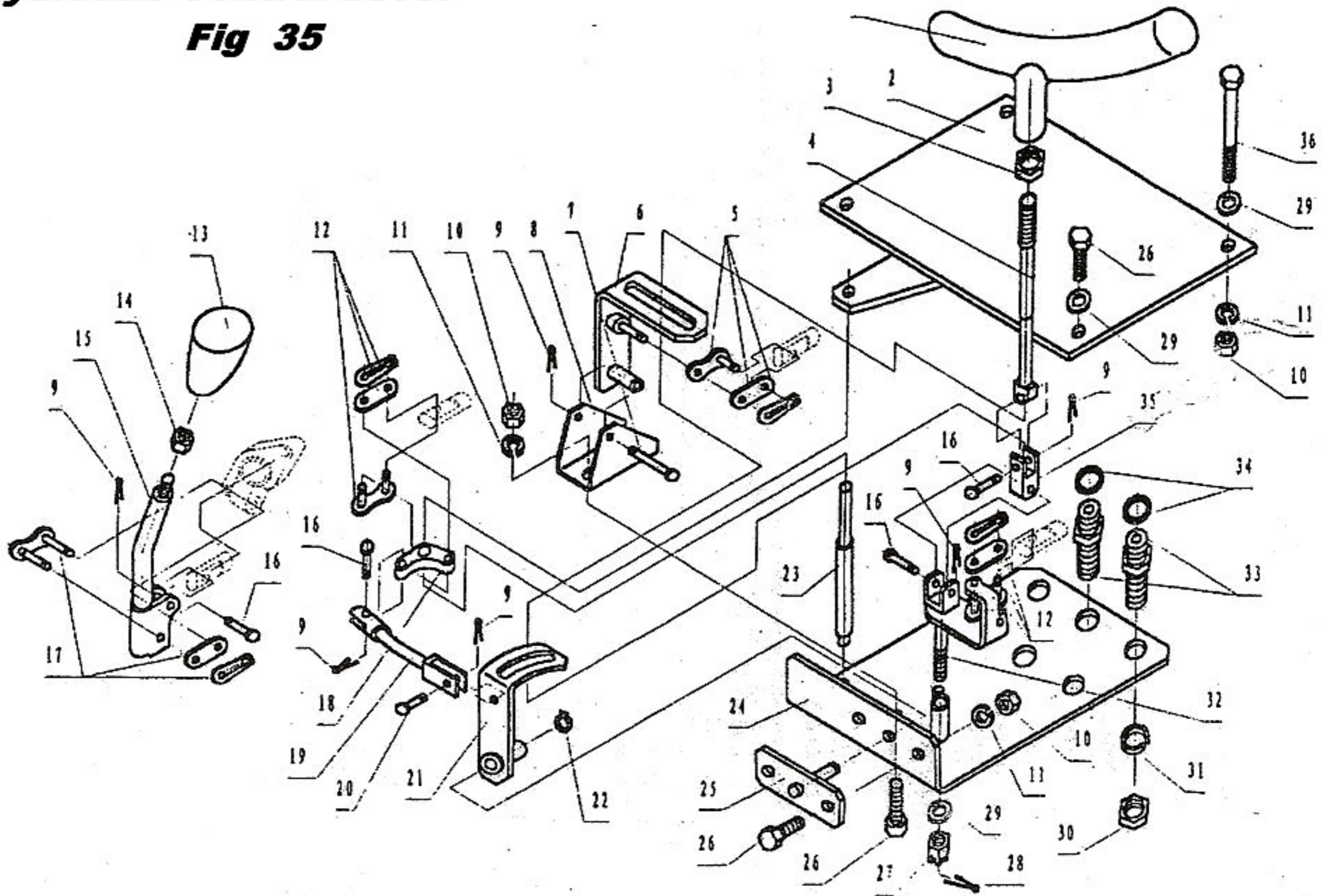


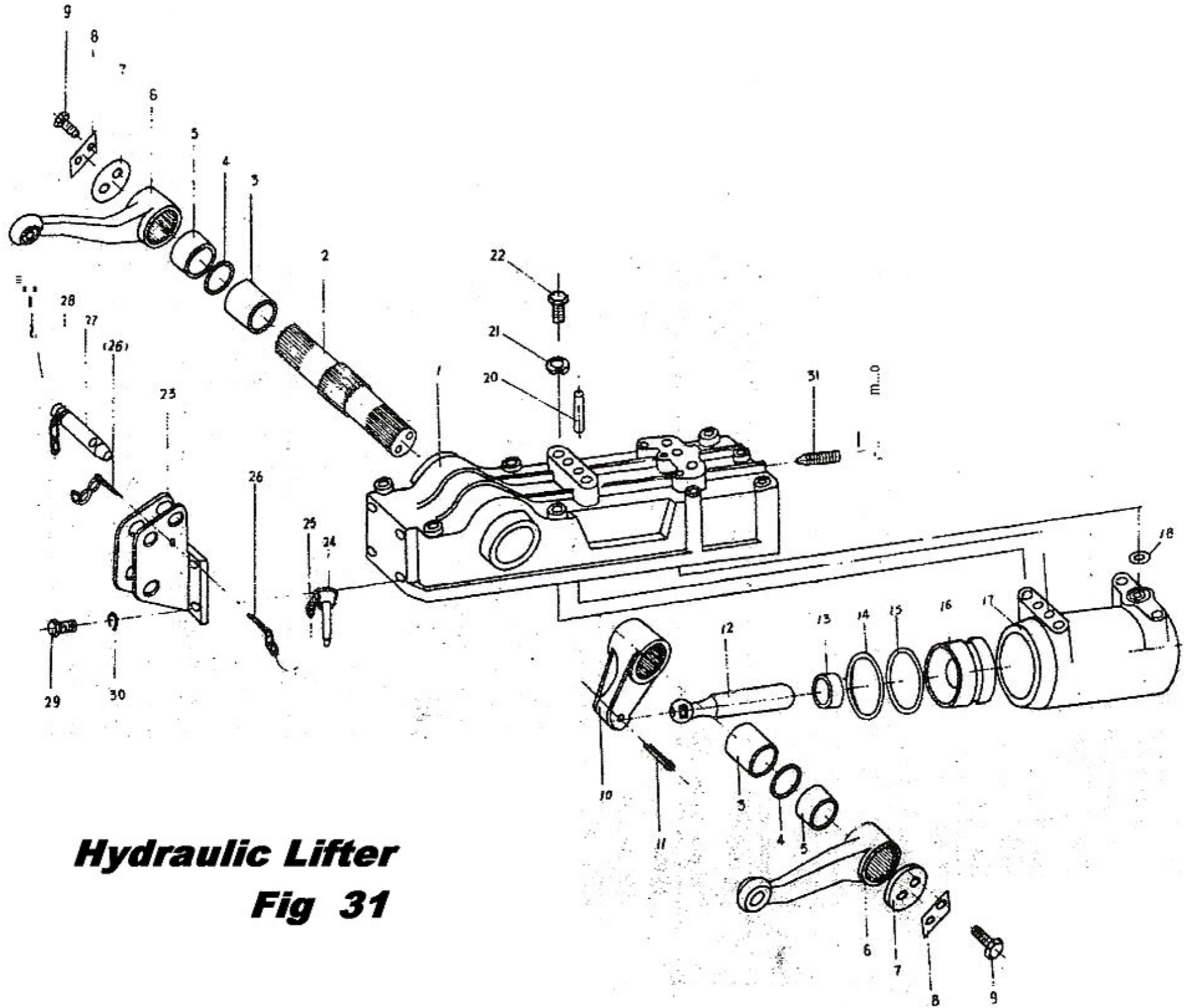
Hydraulic Clutch system Fig 34



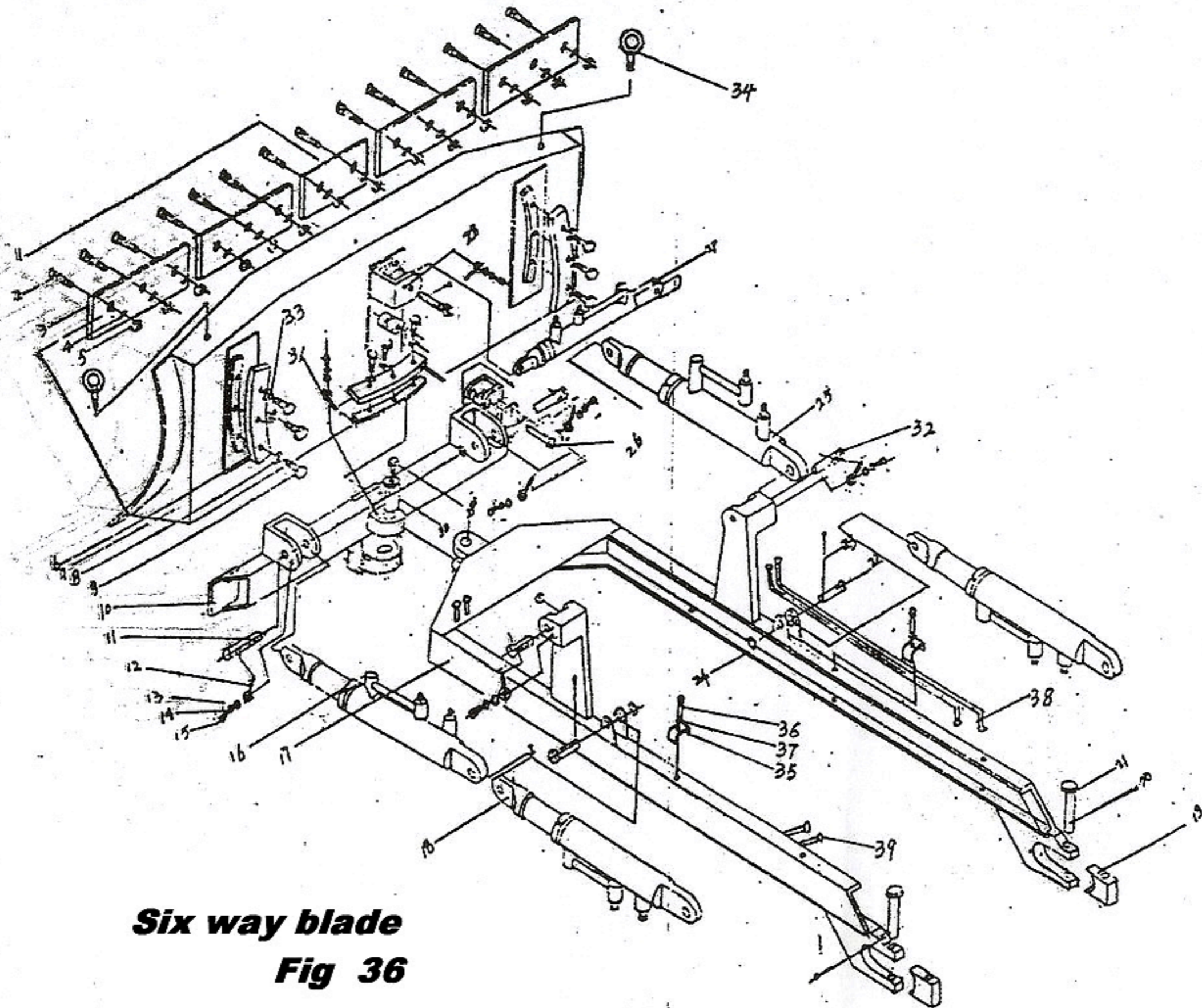
Hydraulic Control Lever

Fig 35





Hydraulic Lifter
Fig 31



Six way blade
Fig 36